

Features

- Robust all-steel fully-welded construction
- Super-quick adjustment to most I-Beams (see measurements below)
- ROHS compliant zinc plated finish
- Permanent engraved load rating

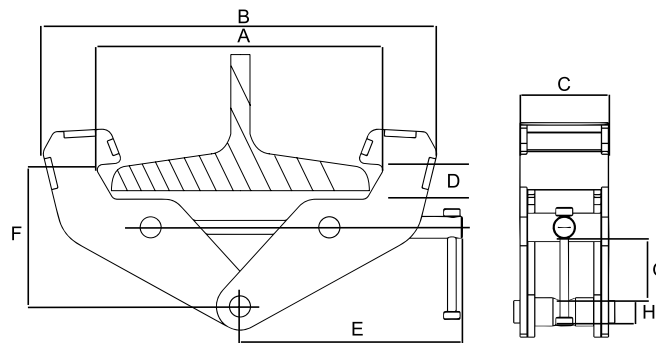


Standards:

This product meets or exceeds
 OSHA 1926 Subpart M
 OSHA 1910.140
 ASME Z359.1
 ASME A10.32-2012
 standards for fall protection.



OZ1BCA-MR



	OZ1BCA-MR	OZ2BCA-MR	OZ3BCA-MR	OZ5BCA-MR	OZ10BCA-MR	
Capacity (tons)	1	2	3	5	10	
Fall Protection* (lbs)	400	400	400	400	400	
Dimensional Information (in)	A	3 – 8	3 – 8	3.5 – 13	3.5 – 13	
	B	14.75	14.75	20.5	20.5	
	C	2.51	2.91	3.94	4.41	4.72
	D	0.9	0.9	1.5	1.5	1.6
	E	9.5	9.5	11	11	11.5
	F	4.75 – 5.75	4.75 – 5.75	7.5 – 9	7.5 – 9	5.5 – 9.375
Net Weight (lbs)	G	1.75	1.75	2.5	2.5	4
	H	.75	.875	.975	1.125	1.625

*Dimensions are for reference only and subject to change without notice.

