

# LEVER HOIST

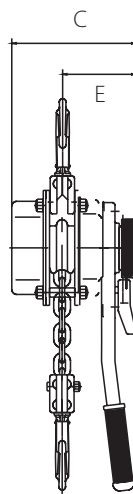
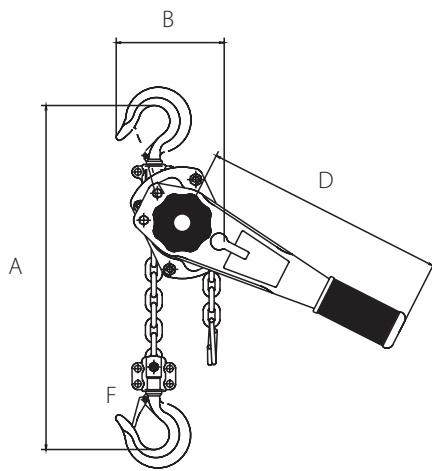


Excludes  
1/4 Ton Model

## Features

- All-steel construction
- Aluminum construction (1/4 Ton Model)
- Long lasting powder coat finish
- Steel handle with rubber grip
- Minimal load lifting effort
- Weston-Style brake system with twin pawl design
- 100% load tested grade 80 alloy chain
- Fully-enclosed gearing
- Load sheave bearings
- Forged alloy steel hooks
- Heavy-duty latches
- Carrying bag (1/4 Ton Model)

Standards - CE, ASME B30.21, AS1418.2



OZIND025-LH

OZIND075-LH

	OZIND025-LH	OZIND075-LH	OZIND150-LH	OZIND300-LH
Capacity (tons)	0.25	0.75	1.5	3
Effort to Lift S.W.L (lbs)	44	40	66	88
Falls of Chain	1	1	1	1
Load Chain Diameter (mm)	4x12	6x18	8x24	10x30
Product Dimensions (in)	A	9.45	13.38	16.14
	B	3.62	5.31	5.91
	C	3.86	6.02	6.89
	D	6.3	12.2	16.34
	E	2.36	3.62	3.98
Hook-opening, Upper & Lower	F	0.83	1.1	1.26
Net Weight (lbs)	4	12	20	36

\*Standard Lift: 5, 10, 15 and 20 ft.

\*.25 T Models Standard Lift: 5 and 10 ft.

**We also do custom rigging**

\*Dimensions are for reference only and subject to change without notice.

