

BEAM CLAMP USA



Features

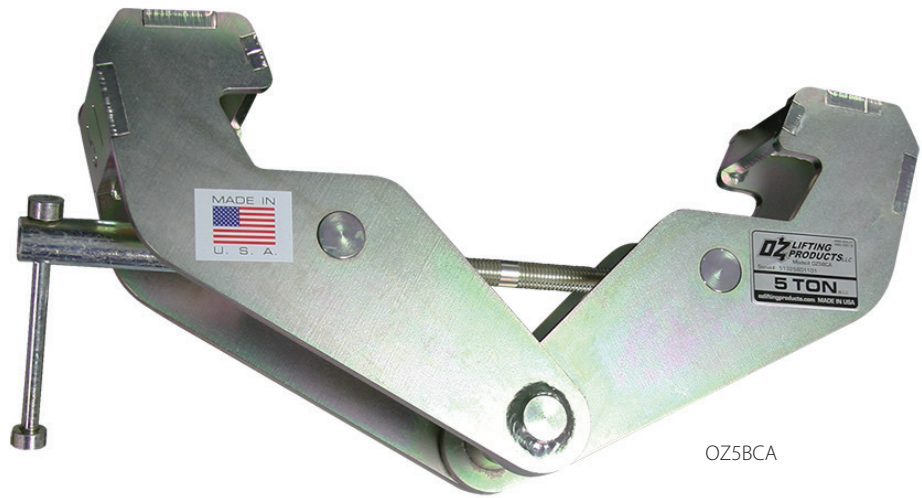
- Robust all-steel fully-welded construction
- Super-quick adjustment to fit most I-Beams (see measurements below)
- ROHS compliant zinc plated finish
- Permanent engraved load rating



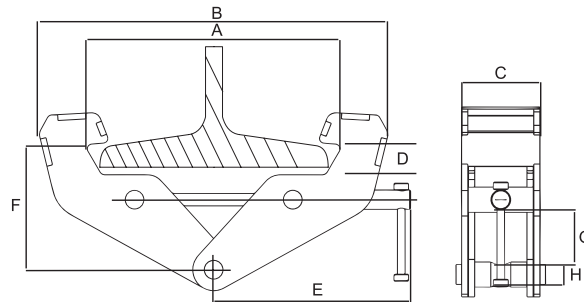
Standards - CE, ASME B30.16

FALL PROTECTION models available

Contact OZ Lifting Products for more information



OZ5BCA



	OZ1BCA	OZ2BCA	OZ3BCA	OZ5BCA	OZ10BCA
Capacity (tons)	1	2	3	5	10
A	3 – 9	3 – 9	3.5 – 13	3.5 – 13	3.5 – 13
B	14.75	14.75	20.5	20.5	22
C	2.51	2.91	3.94	4.41	4.72
D	0.9	0.9	1.5	1.5	1.5
E	9.5	9.5	11	11	11.5
F	4.75 – 5.75	4.75 – 5.75	7.5 – 9	7.5 – 9	5.5 – 9.375
G	1.75	1.75	2.5	2.5	4
H	.75	.875	.975	1.125	1.625
Net Weight (lbs)	9	11	22	26	39

*Dimensions are for reference only and subject to change without notice.

