



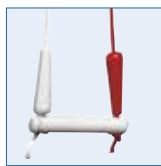
TMH 3000

TMH 25000

TMH 6000



Pendant control

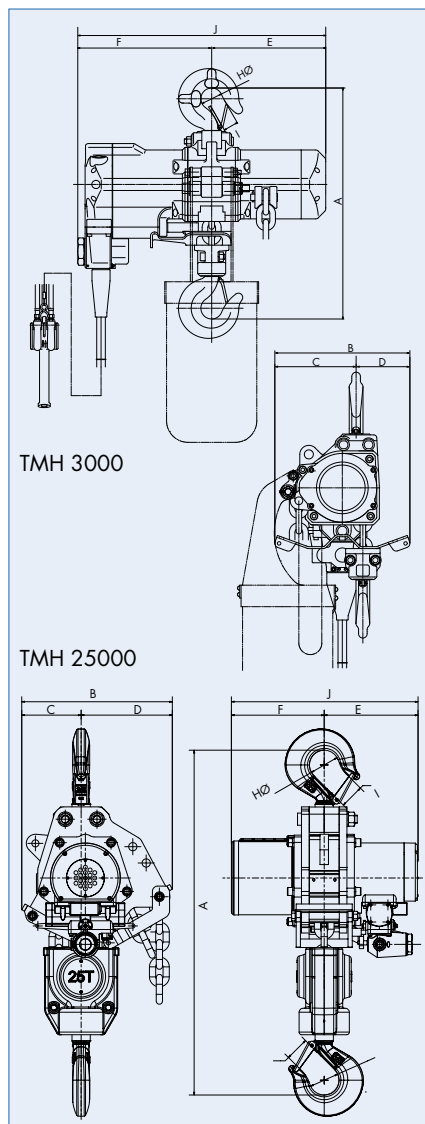

 Cable control  
(Chain control)

## LIFTMASTER TMH air chain hoist

The LIFTMASTER TMH compressed air chain hoist has the highest lifting speeds with the smallest installation height on the hoist market. With an M4 "Class of Mechanism", this new hoist has a long service life, which guarantees continuity in your work. The TMH hoists have been designed with a fastening eye on the housing for easy installation and to affix the hoist for additional safety (while working).

### Equipment features:

- Very accurate speed control (cable and pushbutton operation)
- Optimum checks and exact positioning of the load
- Closing valve for the main air passage
- Mechanical limit stop shut-off
- Integrated load limiter without losing the construction height
- Operational air pressure (4 – 6.3 bar)
- Exhaust air through the hose



TMH 3000

TMH 25000

TYPE	LIFTMASTER TMH ...	3000	6000	9000	12000	15000	25000
Capacity (Air pressure 6 bar – 1Bm)	kg	3,000	6,000	9,000	12,000	15,000	25,000
Lifting speed without load	m/min	10.8	5.4	3.6	2.7	2.16	2.7
Lifting speed with full load	m/min	5.4	2.7	1.8	1.35	1.08	1.4
Lowering speed with full load	m/min	10.2	5.1	5.1	2.5	2.04	3
Air consumption with full load	l/sec	58.3	58.3	58.3	58.3	58.3	108
Number of chain falls		1	2	3	4	5	2
Air inlet R	inch	3/4" BSPT	3/4" BSPT	3/4" BSPT	3/4" BSPT	3/4" BSPT	1 1/2" BSPT
Kettengröße	mm	13 x 36	13 x 36	13 x 36	13 x 36	13 x 36	23.5 x 66
Chain size (diameter) A	mm	537	742	800	856	855	1,290
B	mm	314	371	455	398	466	566
C	mm	189	245	295	249	313	223
D	mm	125	126	160	149	152	343
E	mm	265	265	310	266	275	356
F	mm	311	311	265	309	300	352
H	ø mm	50	65	53	83	84	100
I	mm	34	42	53	64	58	71
J	mm	576	576	576	575	575	708
Weight with standard lift	kg	99	124	170	190	280	581
TMH ... with 3m Lift with rope control	<b>Order No.</b>	<b>H10360</b>	<b>H10362</b>	<b>H10369</b>	<b>H10371</b>	<b>H10373</b>	<b>H10366</b>
TMH ... with 3m Lift with pendant control	<b>Order No.</b>	<b>H10361</b>	<b>H10363</b>	<b>H10370</b>	<b>H10372</b>	<b>H10374</b>	<b>H10367</b>
Add. lift per meter	<b>Order No.</b>	<b>H10364</b>	<b>H10365</b>	<b>H10377</b>	<b>H10378</b>	<b>H10379</b>	<b>H10368</b>
Maintenance unit	<b>Order No.</b>	<b>H10054</b>	<b>H10054</b>	<b>H10056</b>	<b>H10056</b>	<b>H10056</b>	<b>H10090</b>
Chain bag (galvanised steel) to 3 m lift	<b>Order No.</b>	<b>H10345</b>	<b>H10345</b>	<b>H10345</b>	<b>H10345</b>	<b>H10345</b>	-
Add. air powered trolley DLK	<b>Order No.</b>	<b>H10046</b>	<b>H10047</b>	<b>H10047</b>	<b>H10047</b>	<b>H10047</b>	<b>H10051</b>
Add. control length rope control / m	<b>Order No.</b>	<b>H10042</b>	<b>H10042</b>	<b>H10042</b>	<b>H10042</b>	<b>H10042</b>	<b>H10042</b>
Add. control length pendant control / m	<b>Order No.</b>	<b>H10043</b>	<b>H10043</b>	<b>H10043</b>	<b>H10043</b>	<b>H10043</b>	<b>H10043</b>
Pneumatic-Special-Oil (Content: 2.5 Liter)	<b>Order No.</b>	<b>H20566</b>	<b>H20566</b>	<b>H20566</b>	<b>H20566</b>	<b>H20566</b>	<b>H20566</b>

Please enquire about other load capacities!